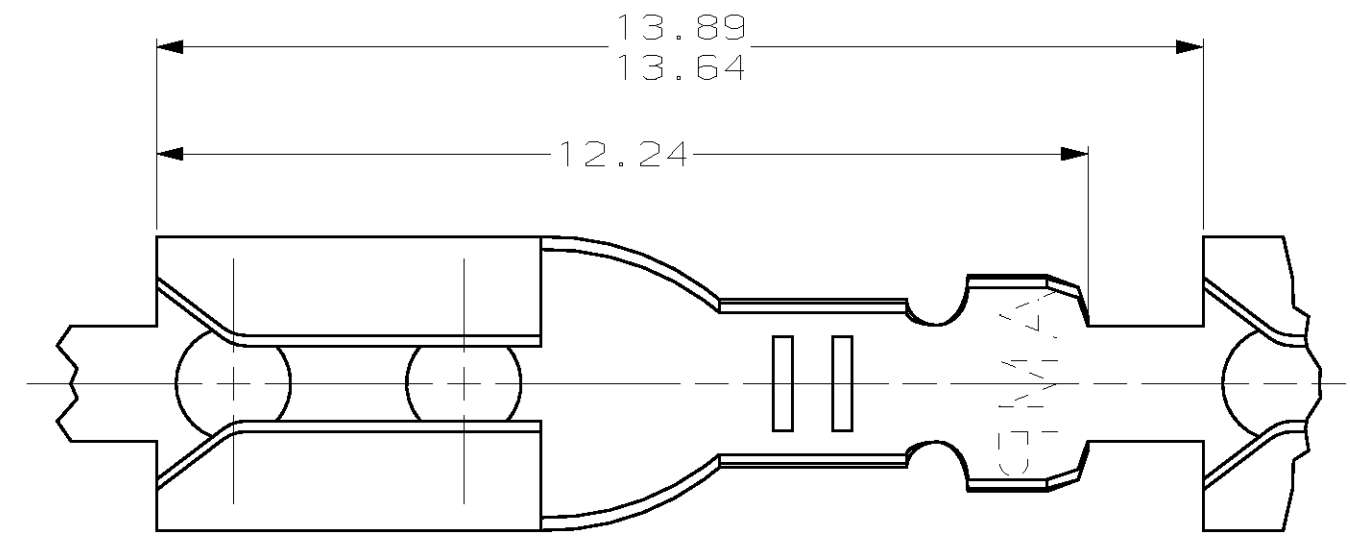
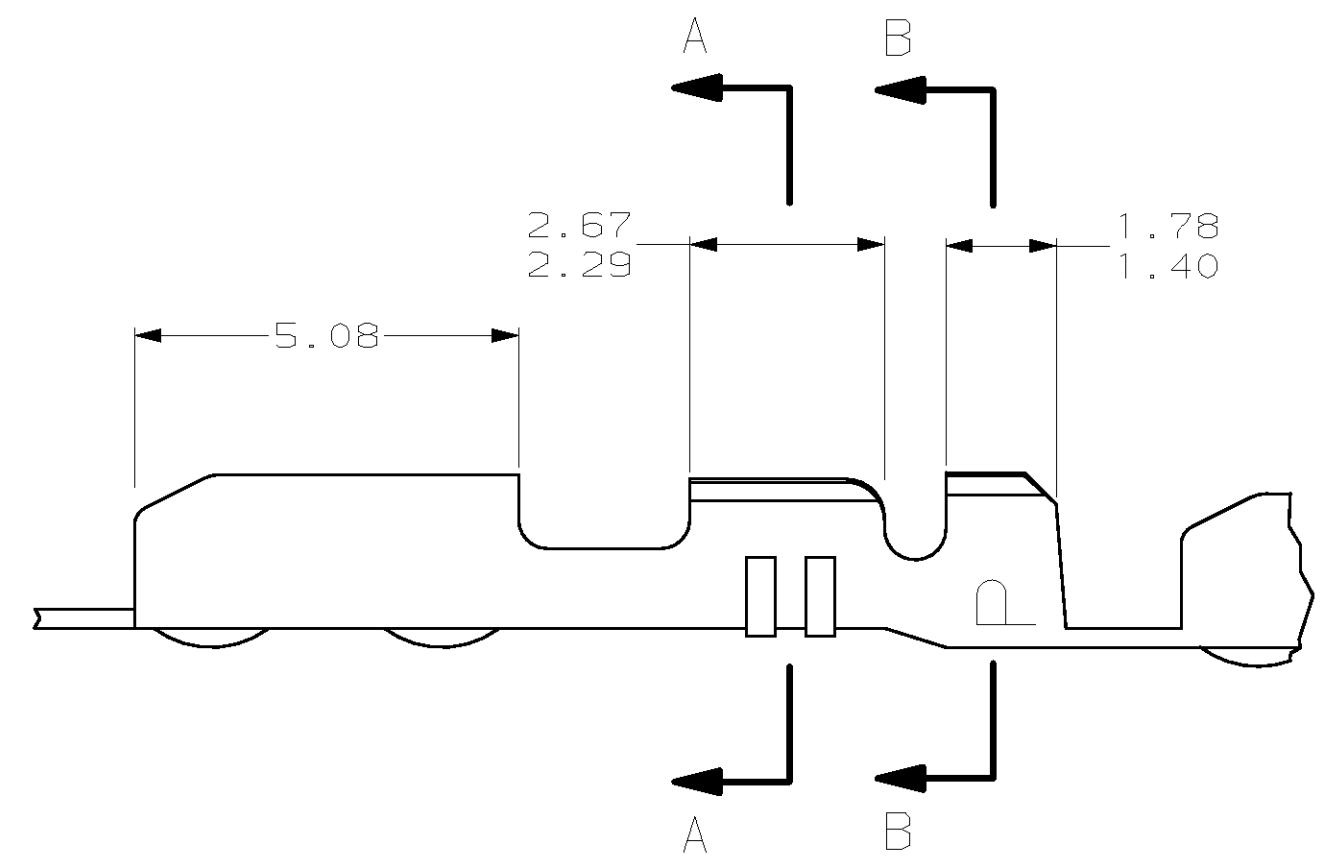
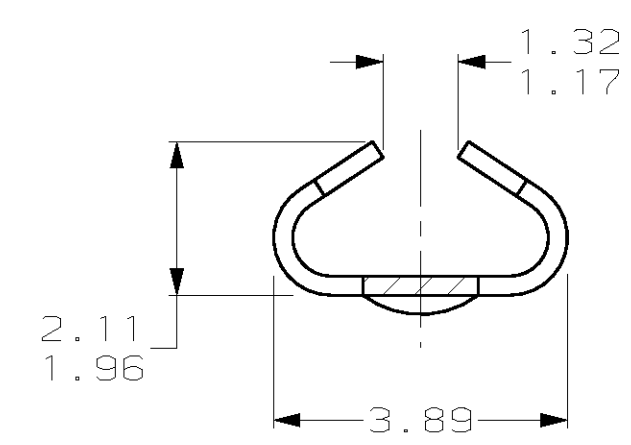
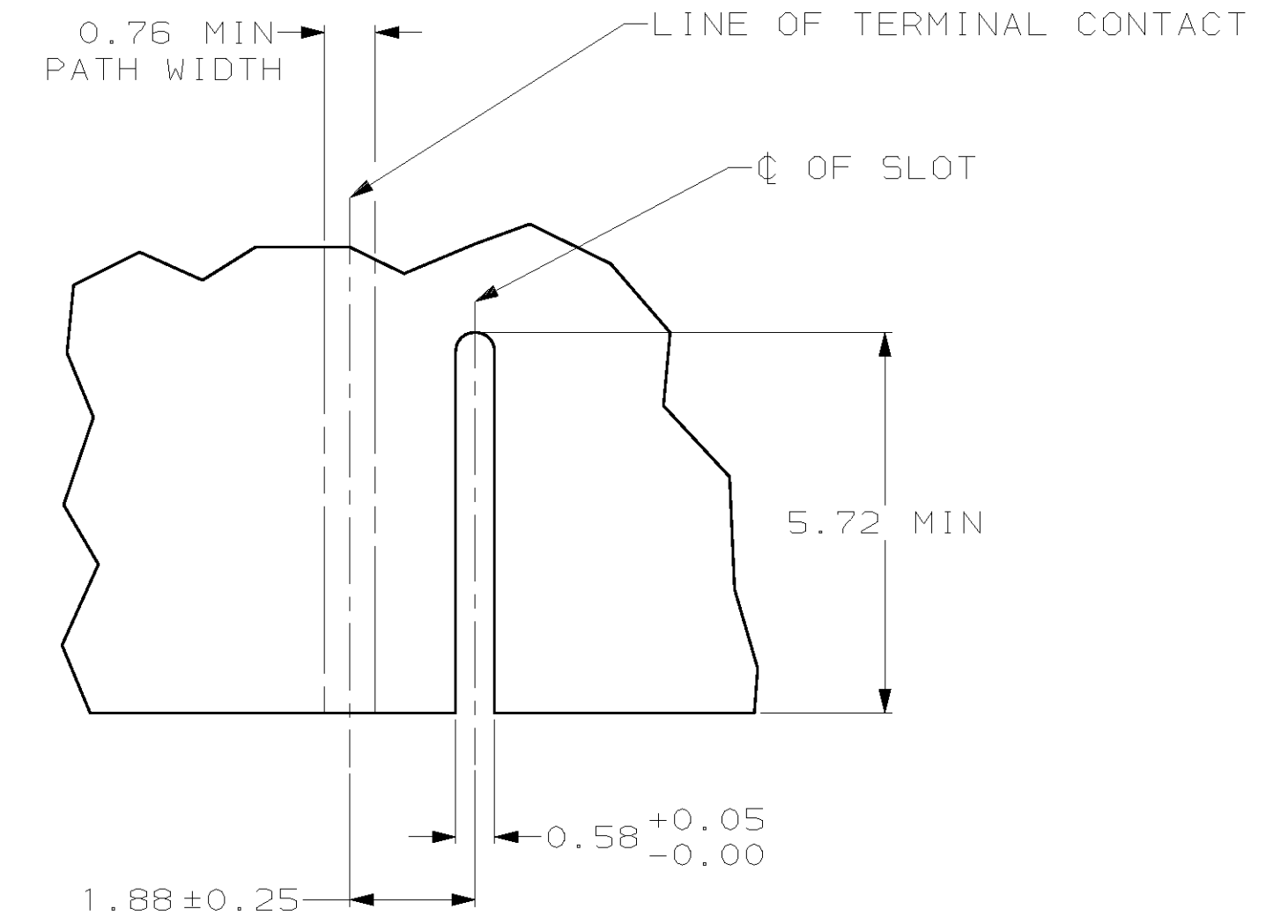


THIS DRAWING IS UNPUBLISHED. RELEASED FOR PUBLICATION  
 (C) COPYRIGHT 19 BY AMP INCORPORATED. ALL RIGHTS RESERVED.

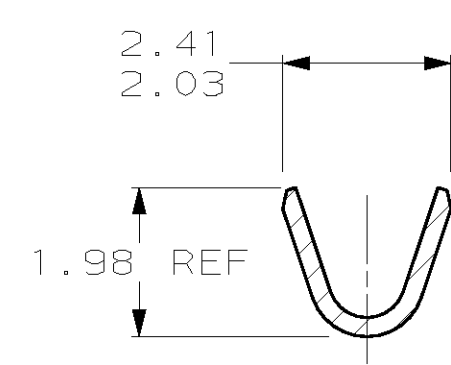
LOC	DIST	REVISIONS			
P	LTR	DESCRIPTION	DATE	DWN	APVD
CM	52	AA	REV & REDWN PER EC 0L30-0096-97	12-20-96	TB RS



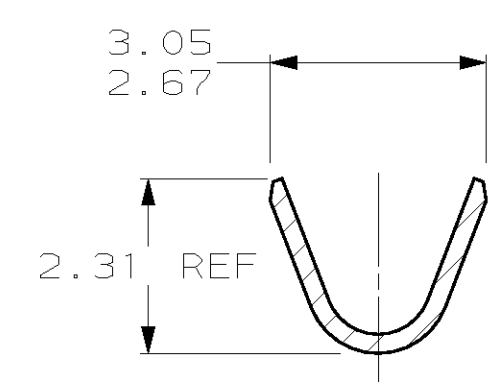
1. WIRE RANGE: 0.04 - 0.6 MM<sup>2</sup> (22 - 20 AWG)
2. INSULATION RANGE: 1.19 MAX



RECOMMENDED CUT OUT FOR 1.57 THICK P.C. BOARD



SECTION A-A



SECTION B-B

42263-7  
PART NUMBER

1.17	.046	1.96	.077	2.67	.105	13.89	.547
0.76	.030	1.91	.075	2.41	.095	13.64	.537
0.58	.023	1.88	.074	2.31	.091	12.24	.482
0.25	.010	1.78	.070	2.29	.090	5.72	.225
0.13	.005	1.57	.062	2.11	.083	5.08	.200
0.05	.002	1.40	.055	2.03	.080	3.89	.153
0.00	.000	1.32	.052	1.98	.078	3.05	.120
MM	IN	MM	IN	MM	IN	MM	IN

CONVERSION TABLE



THIS DRAWING IS A CONTROLLED DOCUMENT.		DWN	T. BECK	12-20-96
DIMENSIONS: mm		CHK	R. SWING	12-20-96
TOLERANCES UNLESS OTHERWISE SPECIFIED:		APVD	A. BEDDICK	1-08-97
0 PLC	±	NAME		
1 PLC	±	AMP Incorporated		
2 PLC	±0.13	Harrisburg, PA 17105-3608		
3 PLC	±	AMP-EDGE™		
4 PLC	±	TERMINAL, 22-20 AWG, .075 MAX INSULATION, AMP-EDGE™		
ANGLES	±	SIZE		
MATERIAL	0.25 PHOSPHOR BRONZE	FINISH	TIN	SCALE
CUSTOMER DRAWING		WEIGHT	-	10:1
CAGE CODE		DRAWING NO	A2 00779	SHEET
RESTRICTED TO		REV	AA	1 OF 1